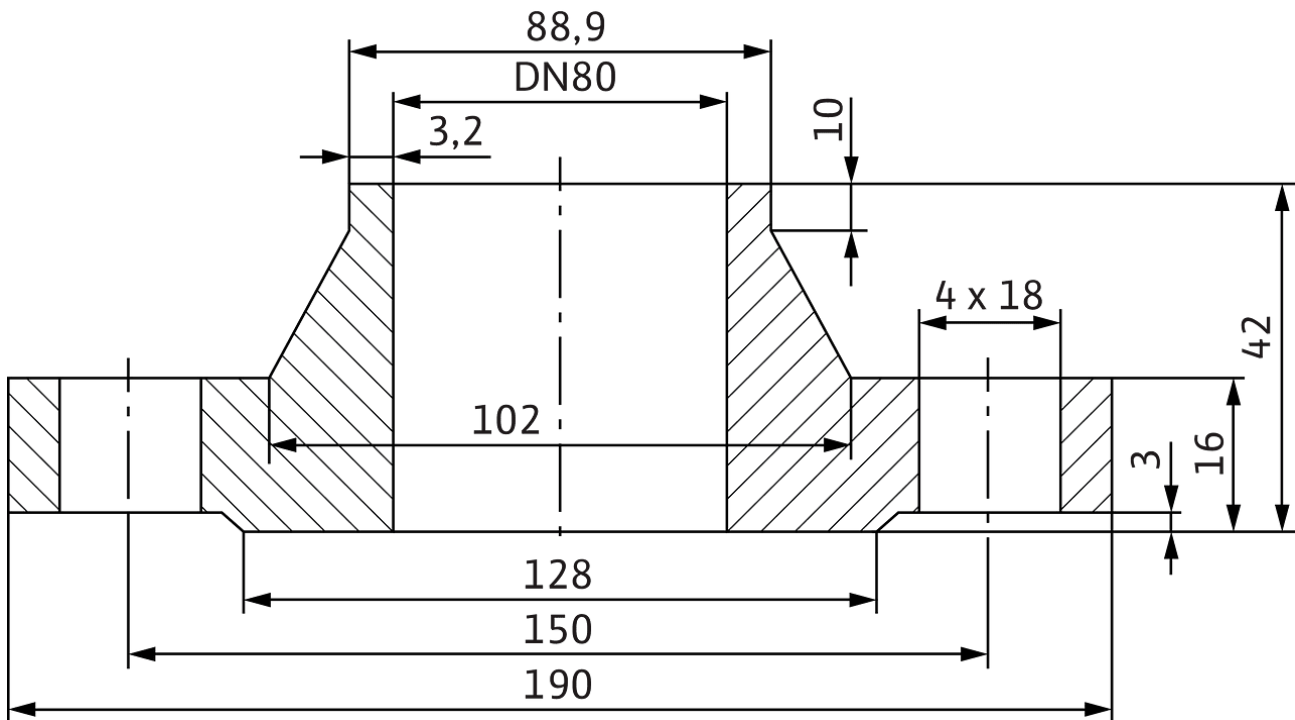


## Wymiary i rysunki wymiarowe

## Flange PN6 DN80



## Specyfikacja ofertowa

Two steel weld neck flanges in accordance with DIN-EN 1092-1 type 11 with a neck for welding to pipes as well as gaskets and screws/nuts for the flange connections.

Depending on the configuration of the operating pressure of an installation, the appropriate counter flange must be selected for the operating pressure.

## Scope of delivery

- > 2 weld neck flanges
- > 2 gaskets
- > Screws/nuts (number and size based on flange version)

## Dane techniczne

Przyłącze wejścia	DN 80
Przyłącze wyjścia	DN 80
Ciśnienie nominalne	PN 6
Materiał	Stal nierdzewna
Masa	6 kg
Produkt	Wilo
Nr art.	2105584